

**STICK TO CARD THEN
CUT AROUND OUTER
PROFILE**

**LOCATE WHEEL
SPIGOT IN WHEEL
AND ROTATE,
ENSURE THAT THERE
IS A MINIMUM OF
3mm CLEARANCE
ON ALL EDGES**

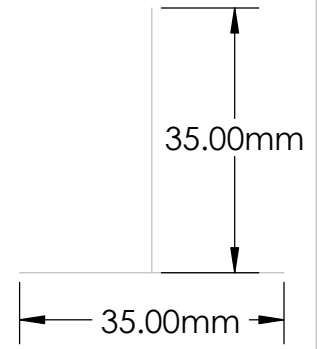
CALIPER

FLOATING HUB

\varnothing 355.00mm X 32.00mm
BRAKE DISC

72.60mm \varnothing
WHEEL SPIGOT

**CHECK REF DIMS
TO ENSURE THAT
THE DRAWING HAS
PRINTED TO
CORRECT SCALE**



REF DIMS

TPL002 - 355 BBK - BMW M3 (E36)

EBC Technical:KITS@EBCBRAKES.COM