

STICK TO CARD THEN CUT AROUND OUTER PROFILE

LOCATE WHEEL SPIGOT IN WHEEL AND ROTATE, ENSURE THAT THERE IS A MINIMUM OF 3mm CLEARANCE ON ALL EDGES

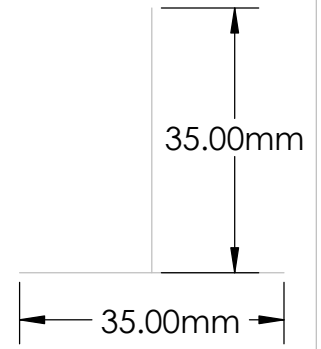
CALIPER

FLOATING HUB

ϕ 355.00mm X 32.00mm
BRAKE DISC

67.10mm ϕ
WHEEL SPIGOT

CHECK REF DIMS TO ENSURE THAT THE DRAWING HAS PRINTED TO CORRECT SCALE



REF DIMS

TPL007 - 355 BBK - MAZDA RX8

EBC Technical:KITS@EBCBRAKES.COM