

STICK TO CARD THEN CUT AROUND OUTER PROFILE

LOCATE WHEEL SPIGOT IN WHEEL AND ROTATE, ENSURE THAT THERE IS A MINIMUM OF 3mm CLEARANCE ON ALL EDGES

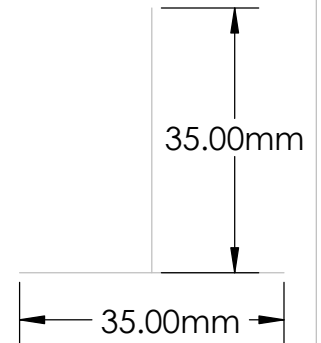
CALIPER

FLOATING HUB

$\phi 355.00\text{mm} \times 32.00\text{mm}$
BRAKE DISC

$69.00\text{mm} \phi$
WHEEL SPIGOT

CHECK REF DIMS TO ENSURE THAT THE DRAWING HAS PRINTED TO CORRECT SCALE



REF DIMS

TPL019 - 355 BBK - HYUNDAI I30N

EBC Technical:KITS@EBCBRAKES.COM